

Please read these instructions carefully and store in a safe place for future reference.

CONTENTS OF PACKAGE

- 1 D-Light Commercial insect control unit
- 1 Glueboard with Pheromone Attractant
- 1 Fixing Kit
- 1 Guarantee Card
- 1 Instruction Sheet

WARNING - THIS APPLIANCE MUST BE EARTHED

POSITIONING

THIS UNIT IS FOR INDOOR USE ONLY.

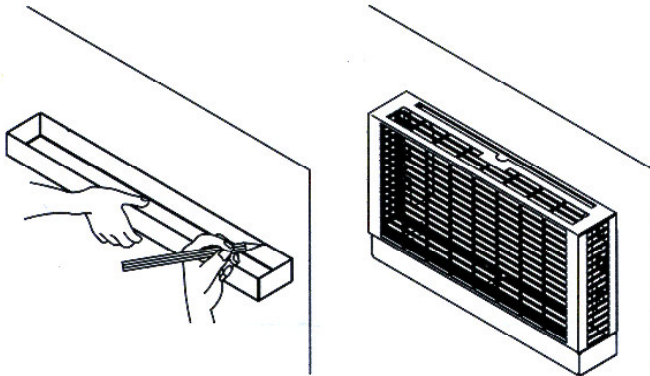
Your **D-Light Commercial** should ideally be mounted around two meters above the ground, preferably in the darkest place within the area to be protected. Do not position the unit close to windows, skylights or other sources of light, or where it may be obscured by furniture, doors or other obstacles. Ideally, your **D-Light Commercial** should be visible from every part of the area to be protected.

INSTALLATION

PRIOR TO INSTALLATION, MAKE SURE THE VOLTAGE OF YOUR EARTHED ELECTRICAL OUTLET CORRESPONDS TO THAT MARKED ON THE SPECIFICATION LABEL LOCATED ON THE BACK OF THE UNIT.

Mounting Directions

Offer the catch tray up to the vertical wall and mark two centres using the two guide dimples located on the edge of the tray. Drill through the two marked points, fixing the rawl plugs and hanging screws in place. Offer the unit to the screws and hang.

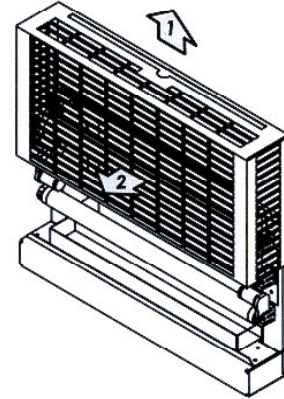


WARNING - THIS APPLIANCE MUST BE EARTHED

The mains lead supplied with this unit is already fitted with a moulded plug incorporating a fuse, the value of which is indicated on the pin face of the plug. Should the fuse need to be replaced an ASTA approved BS1362 fuse must be used of the same rating, marked thus **ASTA**. If the fuse cover is detachable, never use the plug with the cover omitted. If a replacement fuse cover is required, ensure it is of the same colour as that visible on the pin face of the plug (i.e. red or orange).

USING YOUR D-LIGHT COMMERCIAL

Your **D-Light Commercial** should be operated 24-hours a day as insects are most attracted to the unit at night when there is no competition from daylight or other light sources.



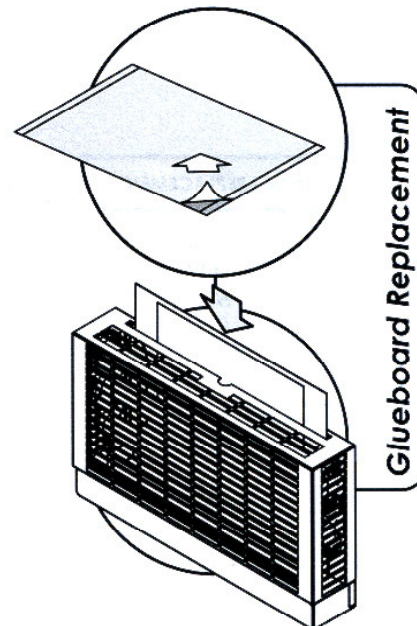
GLUEBOARD REPLACEMENT

The glueboard should be replaced every four weeks or as needed.

To replace the glueboard...

1. Take off the front guard from the unit and remove the used glueboard and either retain for insect catch evaluation or dispose of it hygienically.
2. Replace the front guard.
3. Remove the protective paper from the new glueboard.
4. Slowly slide the glueboard into position through the slot in the top of the unit, ensuring it helps in position by the two runners.

Always use genuine P&L Systems Ltd replacement glueboards, available from your nearest distributor or P&L Systems Ltd.



Before performing any maintenance, make sure the unit is disconnected from the earthed electrical outlet.

TUBE REPLACEMENT

To ensure the optimum effectiveness of your **D-Light Commercial**, the UV tubes should be replaced every 9 months.

Replace all UV tubes at the same time. To replace the tubes...

1. Release the used tubes from the tube holders by gently twisting a quarter-turn and pulling up, before removing from the unit.
2. Replace the used tubes by reversing the removal process.

STARTER REPLACEMENT

All of the starters should be replaced at the same 9-month interval as the tubes.

To replace the starters...

1. Release the used starter by turning anti-clockwise and pulling free.
2. Insert the new starters and turn clockwise until locked in position.

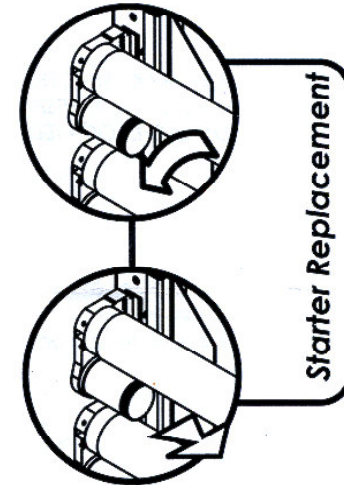
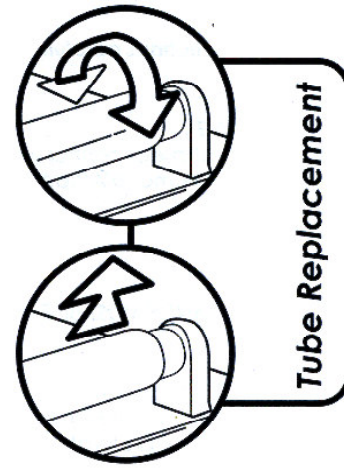
CLEANING

It is recommended that you clean your **D-Light Commercial** every time you replace the glueboard. Once the glueboard is removed, thoroughly wipe down your **D-Light Commercial** with a soft cloth, removing any build up of dust or dirt. Empty insect catch tray and clean as needed.

GUARANTEE

Your **D-Light Commercial** carries a 3 year guarantee,* and if regularly maintained as described in these instructions, should continue to work for many years.

*Excludes bulbs, ballasts and starters. Does not cover breakdown due to misuse, incorrect operation or use in an incorrect application. Any unit failing within the 3 year period will be exchanged for a replacement unit.



SPECIFICATION / REPLACEMENT PARTS

Unit	D-Light Commercial	Light Output	45W
Voltage	240V ~ 50Hz	Tubes	3 x 18" 15W (I616)
Dimensions(mm)	W - 480 x H - 280 x D - 85	Starter	3 x S2 (I154)
Coverage	120m ²	Glueboards	White with Pheromone Attractant
Weight	5 Kg		

BRIGHTER HYGIENE SOLUTIONS

P&L SYSTEMS LTD
19 Halfpenny Lane
Knaresborough
North Yorkshire
HG5 0PS

T - 01423 861226
F - 01423 863497
E - info@pandl.co.uk
W - www.pandlsystems.com

