

Please read these instructions carefully and store in a safe place for future reference.

#### CONTENTS OF PACKAGE

- 1 D-Light Discreet insect control unit
- 1 Double Glueboard with Pheromone Attractant
- 1 Fixing Kit
- 1 Guarantee
- 1 Instruction sheet

WARNING - THIS APPLIANCE MUST BE EARTHED

#### POSITIONING

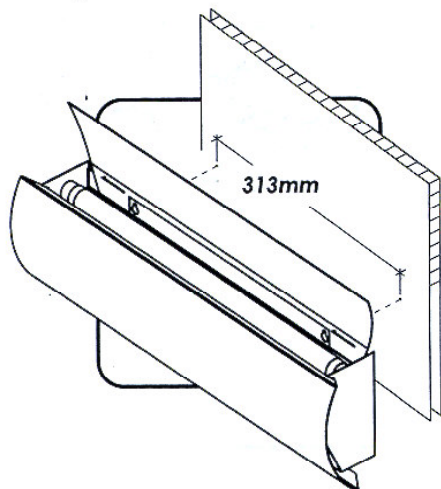
THIS UNIT IS FOR INDOOR USE ONLY.

Your D-Light Discreet should ideally be mounted around two meters above the ground, preferably in the darkest place within the area to be protected. Do not position the unit close to windows, skylights or other sources of light, or where it may be obscured by furniture, doors or other obstacles. Ideally, your D-Light Discreet should be visible from every part of the area to be protected.

#### INSTALLATION

PRIOR TO INSTALLATION, MAKE SURE THE VOLTAGE OF YOUR EARTHED ELECTRICAL OUTLET CORRESPONDS TO THAT MARKED ON THE SPECIFICATION LABEL LOCATED ON THE BACK OF THE UNIT.

#### Mounting Directions

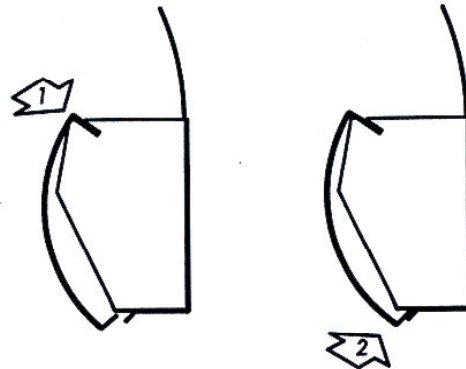


#### WARNING - THIS APPLIANCE MUST BE EARTHED

The mains lead supplied with this unit is already fitted with a moulded plug incorporating a fuse, the value of which is indicated on the pin face of the plug. Should the fuse need to be replaced an ASTA approved BS1362 fuse must be used of the same rating, marked thus **ASTA**. If the fuse cover is detachable, never use the plug with the cover omitted. If a replacement fuse cover is required, ensure it is of the same colour as that visible on the pin face of the plug (ie. red or orange).

#### USING YOUR D-LIGHT Discreet

Your D-Light Discreet should be operated 24-hours a day as insects are most attracted to the unit at night when there is no competition from daylight or other light sources.



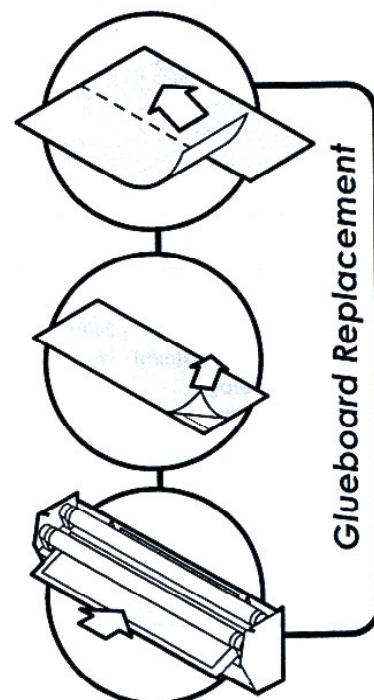
#### GLUEBOARD REPLACEMENT

The glueboard should be replaced every four weeks or as needed.

To replace the glueboard...

1. Remove the used glueboard and either retain for insect catch evaluation or dispose of it hygienically.
2. Remove the protective paper from the new glueboard.
3. Slowly slide the glueboard into position below the two tubes and hold in place with the two clips.

Always use genuine P&L Systems replacement glueboards, available from your nearest distributor or P&L Systems Ltd.



**Before performing any maintenance, make sure the unit is disconnected from the earthed electrical outlet.**

**TUBE REPLACEMENT**

To ensure the optimum effectiveness of your D-Light Discreet, the UV tubes should be replaced every 9 months.

Replace all UV tubes at the same time. To replace the tubes...

1. Release the used tubes from the tube holders by gently twisting a quarter-turn and pulling up, before removing from the unit.
2. Replace the used tubes by reversing the removal process.

**STARTER REPLACEMENT**

All of the starters should be replaced at the same 9-month interval as the tubes.

To replace the starters...

1. Release the used starter by turning anti-clockwise and pulling free.
2. Insert the new starters and turn clockwise until locked in position.

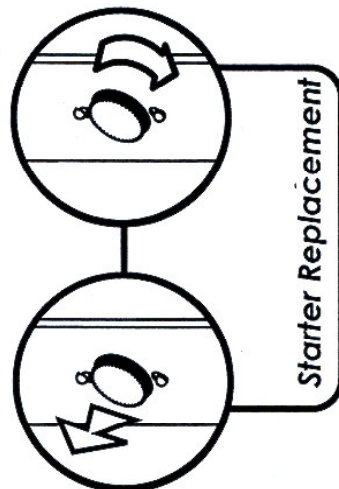
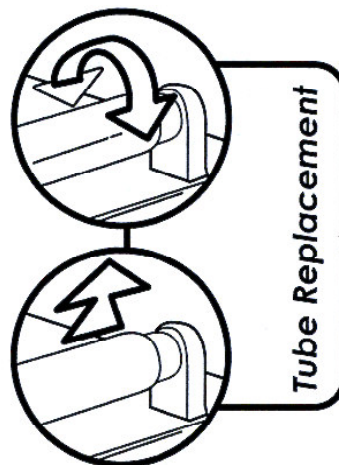
**CLEANING**

It is recommended that you clean your D-Light Discreet every time you replace the glueboard. Once the glueboard is removed, thoroughly wipe down your D-Light Discreet with a soft cloth, removing any build up of dust or dirt. Empty insect catch tray and clean as needed.

**GUARANTEE**

The D-Light Discreet carries a 3 year guarantee,\* and if regularly maintained as described in these instructions, should continue to work for many years.

\*Excludes bulbs, ballasts and starters. Does not cover breakdown due to misuse, incorrect operation or use in an incorrect application. Any unit failing within the 3 year period will be exchanged for a replacement unit.



**SPECIFICATION / REPLACEMENT PARTS**

<b>Unit</b>	D-Light Discreet	<b>Light Output</b>	30W
<b>Voltage</b>	240V ~ 50Hz	<b>Tubes</b>	2 x 18" 15W (I616)
<b>Dimensions(mm)</b>	W - 500 x H - 220 x D - 130	<b>Starter</b>	2 x S2 (I154)
<b>Coverage</b>	50m <sup>2</sup>	<b>Glueboards</b>	White with Pheromone Attractant
<b>Weight</b>	3 Kg		

**DEDICATED TO HYGIENE**

**P&L SYSTEMS LTD**  
 19 Halfpenny Lane  
 Knaresborough  
 North Yorkshire  
 HG5 0PS

T - 01423 861226  
 F - 01423 863497  
 E - info@pandl.co.uk  
 W - www.pandlsystems.com

